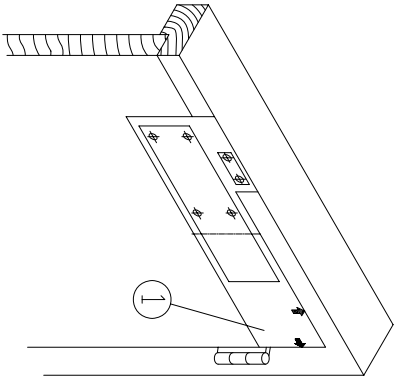
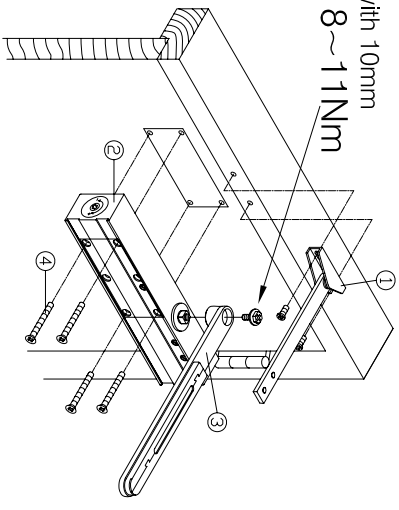


- The door closer is pre-set at #3 power.
- Maximum opening angle at 180° .
- Maintenance: Check quarterly to ensure correct setting of door closing and latching speeds and that fixing screws are tight. A small amount of oil applied to door hinges and the arm joints and rollers will assist performance.

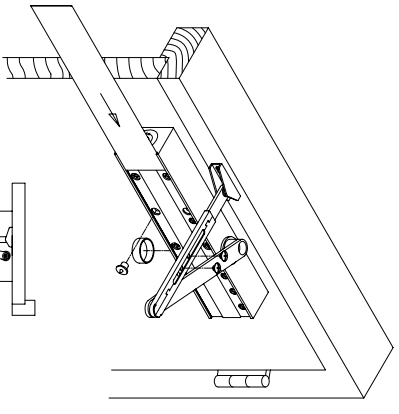


- Determine the installation position of the door closer place the template on the closed door and the top jamb, and make holes in them with a punch or other proper tools
- ① Template

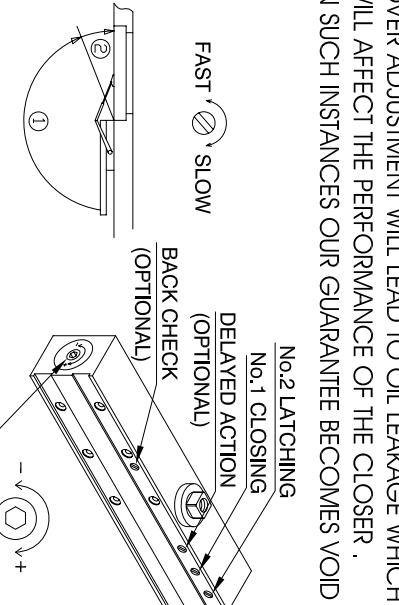


Tighten with 10mm Socket to 8~11Nm

- Fix the link shoe to the top jamb .
- Fit the lever to the pinion shaft and fix it firmly with the screw .
- Mount the closer on the door
- ① Link shoe
- ② Door closer
- ③ Lever
- ④ Mounting screw



- Adjust the link length so that the link makes a right angle with the top jamb, and fix with the lock nut.
- FIX PINION CAP TO CLOSER BODY



OVER ADJUSTMENT WILL LEAD TO OIL LEAKAGE WHICH WILL AFFECT THE PERFORMANCE OF THE CLOSER . IN SUCH INSTANCES OUR GUARANTEE BECOMES VOID .

FAST SLOW

DELAYED ACTION (OPTIONAL)

BACK CHECK (OPTIONAL)

No.1 CLOSING

No.2 LATCHING

Power adjustable

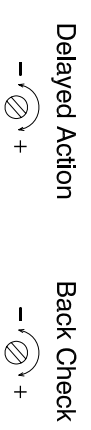
IMPORTANT-

Please check door width before fitting and ensure correct template size is used.

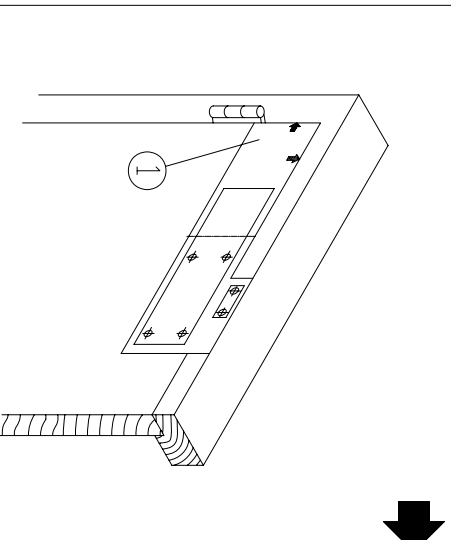
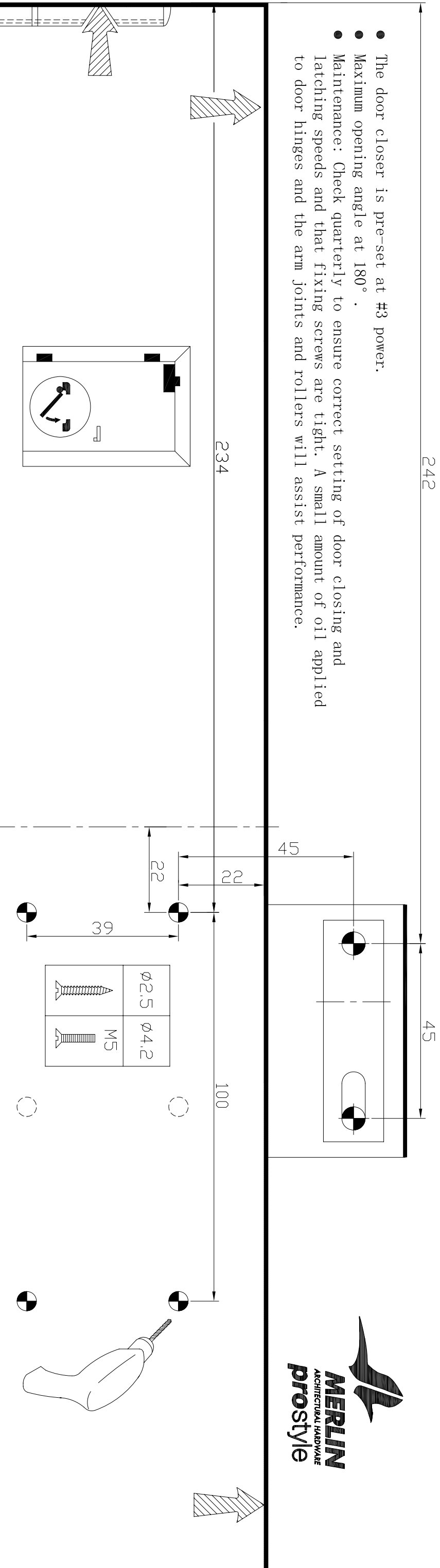
Maintenance (Quarterly)

Check that the door closes properly and that all fixing screws are tight
 Periodically apply light oil to moving parts including hinges
 Check adjustment of valves are correctly set
 Details of maintenance must be logged
 Entrance door closers should be checked more frequently .

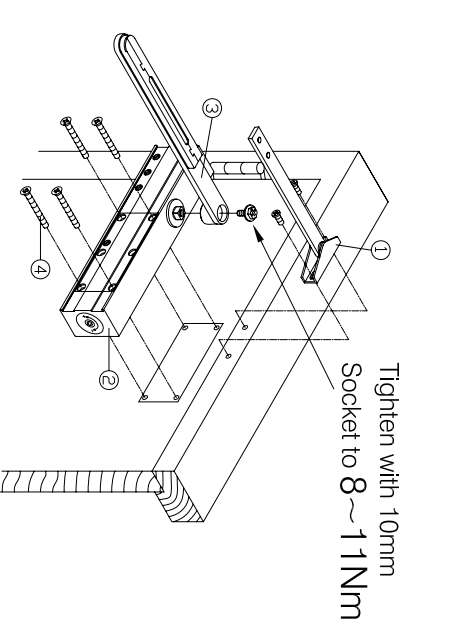
Size Force		Max. door width	
-	+	2	3
About -5 turns	About 0 turn	3	4
About +5 turns	About +9 turns	4	5
		850mm	950mm
		1100mm	1150mm
		1250mm	



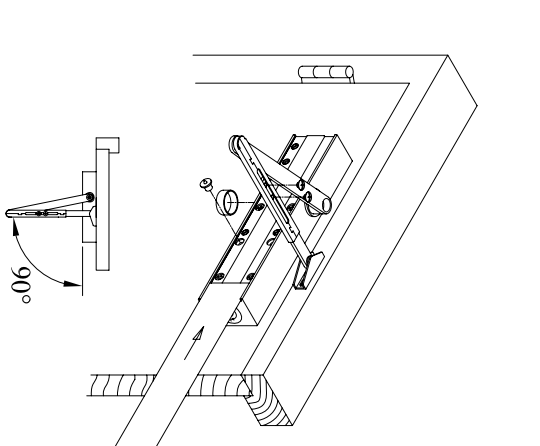
- The door closer is pre-set at #3 power.
- Maximum opening angle at 180° .
- Maintenance: Check quarterly to ensure correct setting of door closing and latching speeds and that fixing screws are tight. A small amount of oil applied to door hinges and the arm joints and rollers will assist performance.



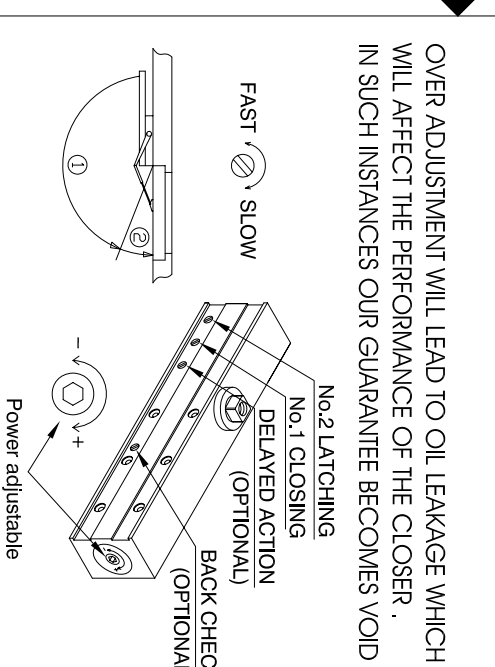
- Determine the installation position of the door closer place the template on the closed door and the top jamb, and make holes in them with a punch or other proper tools
- ① Template



- Fix the link shoe to the top jamb .
- Fit the lever to the pinion shaft and fix it firmly with the screw .
- Mount the closer on the door
- ① Link shoe
- ② Door closer
- ③ Lever
- ④ Mounting screw



- Adjust the link length so that the link makes a right angle with the top jamb, and fix with the lock nut.
- FIX PINION CAP TO CLOSER BODY



- Adjust the closing speed. The door closer closes the door at two different speeds. The first speed can be controlled by the No.1 speed adjusting valve, and the second speed, by the No.2 speed adjusting valve.
- ① CLOSING
- ② LATCHING

IMPORTANT-
Please check door width before fitting and ensure correct template size is used.

Maintenance (Quarterly)

- Check that the door closes properly and that all fixing screws are tight
- Periodically apply light oil to moving parts including hinges
- Check adjustment of valves are correctly set
- Details of maintenance must be logged
- Entrance door closers should be checked more frequently .

Size Force	Size Force	Max. door width
-	2	850mm
0	3	950mm
+	4	1100mm
	5	1250mm

Turns: About -5 turns, About 0 turn, About +5 turns, About +9 turns

